

VPG Series 片式导电聚合物固体铝电解电容器高耐压品 High Voltage Conductive Polymer Aluminum Solid Electrolytic Capacitor of SMD Type

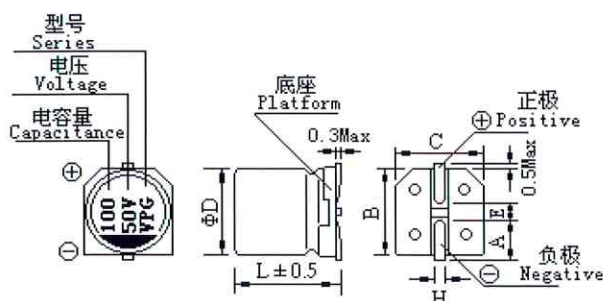
- 耐高电压 High voltage (to 100V)
- 高品低阻抗 Low ESR at high frequency range
- 高纹波 High ripple current capability
- 105°C, 2000 小时 105°C, 2000 hours assured



主要技术性能 Specifications

项目 Items	主要特性 Performance Characteristics	
使用温度范围 Operating Temperature Range	-55~+105°C	
额定电压范围 Rated Voltage Range	35~100V. DC	
标称电容量允许偏差 Capacitance Tolerance	±20% (120Hz, 20°C)	
漏电流(20°C) Leakage Current	施加额定工作电压 2 分钟, $I \leq 0.2C_R U_R$ (μA) After 2 minutes' application of rated voltage, the leakage current is not more than $0.2 C_R U_R$	
损耗角正切值(120Hz 20°C) Dissipation Factor	测试频率 120Hz/温度 20°C, 损耗小于规范值 Less than the specified value at 120Hz, 20°C	
等效串联电阻 Equivalent Series Resistance	测试频率 100KHz/温度 20°C, 等效串联电阻小于规范值 Less than the specified value at 100KHz, 20°C	
耐久性 Load Life(105°C, 2000hrs)	在 105°C 环境施加额定工作电压 2000 小时后, 电容器符合下表要求。 After 2000 hours' application of rated voltage at +105°C, capacitors meet the characteristics requirements listed .	
	电容量变化率 Capacitance Change	初始值的±20%以内 Within ±20% of the initial value
	漏电流值 Leakage	≤规范值 Less than the specified value
	损耗角正切值 Dissipation Factor	≤规范值的 150% Less than 150% of the specified value
	等效串联电阻 Equivalent Series Resistance	≤规范值的 150% Less than 150% of the specified value
耐湿温特性 Damp heat(Steady state) (60°C, 90~95%RH, 1000hrs)	在温度为 60°C、湿度为 90~95%RH 的环境中, 1000 小时后, 电容器的特性符合下表要求。 60°C, 90 to 95%RH, 1000h, No applied voltage capacitors meet the characteristics requirements listed .	
	电容量变化率 Capacitance Change	初始值的±20%以内 Within ±20% of the initial value
	漏电流值 Leakage	≤规范值 Less than the specified value
	损耗角正切值 Dissipation Factor	≤规范值的 150% Less than 150% of the specified value
	等效串联电阻 Equivalent Series Resistance	≤规范值的 150% Less than 150% of the specified value

外形图及尺寸 Case size table



mm						
φD	L	A	B	C	H	E±0.2
8	9.0	2.9	8.3	8.3	0.8~1.1	3.1
8	11.8	2.9	8.3	8.3	0.8~1.1	3.1
10	12.7	3.2	10.3	10.3	0.8~1.1	4.5

VPG Series

■ 编碼和規格 Part number & Specifications

額定電壓 Rated Voltage (V)	標稱容量 Capacitance (μ F)	產品編碼 Part Number	等效串聯電阻 ESR(m Ω max) 100Khz to 300Khz	耐紋波電流 (mA rms/ 105 $^{\circ}$ C, 100Khz)	損耗 Tan δ (120Hz)	漏電流 (max) (μ A)	尺寸 Φ D \times L (mm)
35	39	VPG1V390M0809	42	2600	0.12	273	8 \times 9
	39	VPG1V390M0812	35	2980	0.12	273	8 \times 11.8
	47	VPG1V470M0809	40	2600	0.12	329	8 \times 9
	47	VPG1V470M0812	35	2980	0.12	329	8 \times 11.8
	56	VPG1V560M0809	40	1900	0.12	392	8 \times 9
	56	VPG1V560M0812	35	2980	0.12	392	8 \times 11.8
	68	VPG1V680M0812	35	2980	0.12	476	8 \times 11.8
	68	VPG1V680M1012	32	3800	0.12	476	10 \times 12.7
	82	VPG1V820M0812	35	2300	0.12	574	8 \times 11.8
	82	VPG1V820M1012	32	3800	0.12	574	10 \times 12.7
	100	VPG1V101M0812	35	2980	0.12	700	8 \times 11.8
	100	VPG1V101M1012	32	3800	0.12	700	10 \times 12.7
	150	VPG1V151M1012	32	2700	0.12	1050	10 \times 12.7
	220	VPG1V221M1012	32	3800	0.12	1540	10 \times 12.7
330	VPG1V331M1012	32	3800	0.12	2310	10 \times 12.7	
50	22	VPG1H220M0809	60	1900	0.12	220	8 \times 9
	33	VPG1H330M0809	60	1900	0.12	330	8 \times 9
	33	VPG1H330M0812	50	2200	0.12	330	8 \times 11.8
	39	VPG1H390M0812	50	2700	0.12	390	8 \times 11.8
	39	VPG1H390M1012	45	2900	0.12	390	10 \times 12.7
	47	VPG1H470M1012	45	2900	0.12	470	10 \times 12.7
	68	VPG1H680M1012	45	2900	0.12	680	10 \times 12.7
	82	VPG1H820M1012	45	2900	0.12	820	10 \times 12.7
	100	VPG1H101M1012	45	2900	0.12	1000	10 \times 12.7
	150	VPG1H151M1012	45	2900	0.12	1500	10 \times 12.7
63	15	VPG1J150M0809	70	1900	0.12	189	8 \times 9
	22	VPG1J220M0809	70	2300	0.12	277	8 \times 9
	22	VPG1J220M0812	50	2400	0.12	277	8 \times 11.8
	27	VPG1J270M0812	50	2400	0.12	340	8 \times 11.8
	33	VPG1J330M0812	50	2400	0.12	416	8 \times 11.8
	33	VPG1J330M1012	45	2900	0.12	416	10 \times 12.7
	39	VPG1J390M1012	45	2900	0.12	491	10 \times 12.7
	47	VPG1J470M1012	45	2900	0.12	592	10 \times 12.7
80	10	VPG1K100M0812	55	1700	0.12	160	8 \times 11.8
	12	VPG1K120M0812	55	1900	0.12	192	8 \times 11.8
	15	VPG1K150M0812	55	1900	0.12	240	8 \times 11.8
	22	VPG1K220M1012	50	2300	0.12	352	10 \times 12.7
	33	VPG1K330M1012	50	2300	0.12	528	10 \times 12.7
100	6.8	VPG2A6R8M0809	70	1600	0.12	136	8 \times 9
	10	VPG2A100M0812	55	1800	0.12	200	8 \times 11.8
	18	VPG2A180M1012	50	2200	0.12	360	10 \times 12.7
	22	VPG2A220M1012	50	2200	0.12	440	10 \times 12.7
	33	VPG2A330M1012	50	2200	0.12	660	10 \times 12.7

■ 紋波電流頻率補償係數 Frequency coefficient of allowable ripple current

Frequency 頻率	120Hz \leq f<1KHz	1KHz \leq f<10KHz	10KHz \leq f<100KHz	100kHz \leq f<500KHz
Coefficient 係數	0.05	0.30	0.70	1.00